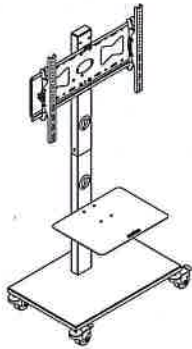


# unho

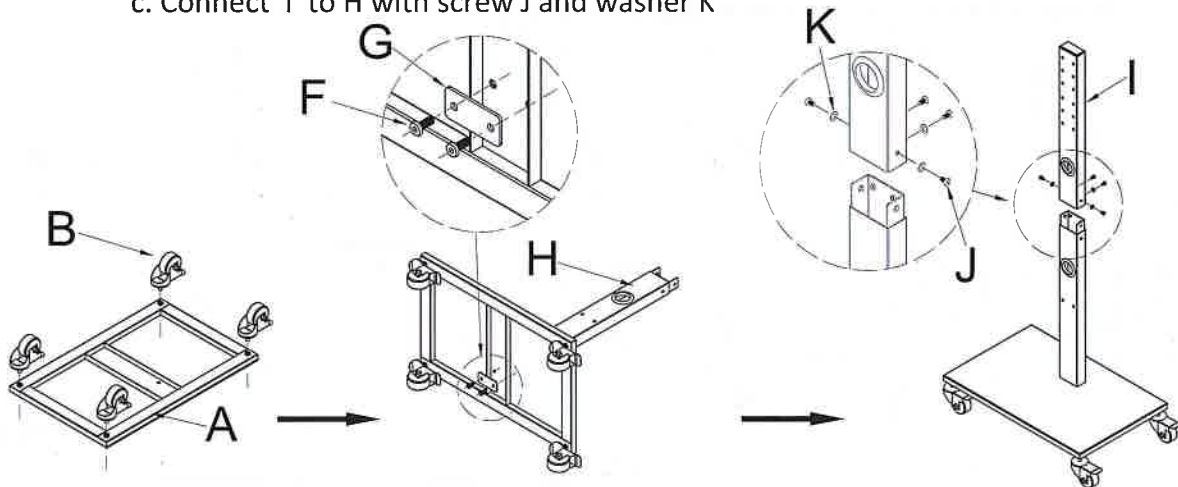
## FLAT PANEL TV STAND U-690-LZ



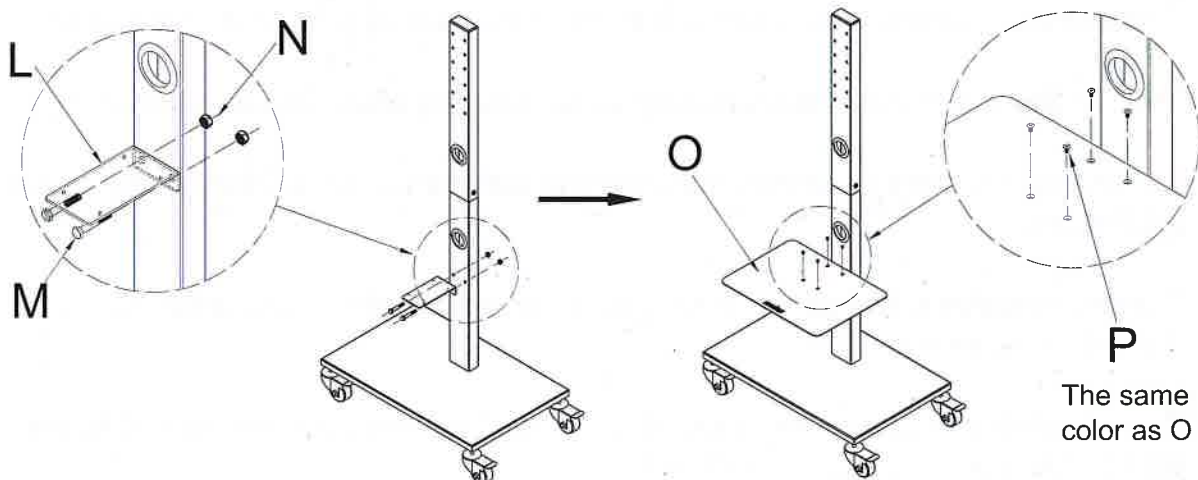
A		X1
B		X4
C		X2
D		4mm X1
E		5mm X1
F		(M8*20) X2
G		X1
H		X1
I		X1
J		(M6*10) X4
K		(φ6) X4
L		X1
M		(M8*50) X6

N		(M8) X6
O		X1
P		(M4*6) X4
Q		X1
R		X1
S		X1
T		X1
U		(M8*15) X4
V		(M6*15) X4
W		(M5*15) X4
X		(Ø5,Ø6,Ø8) X4
Y		X1

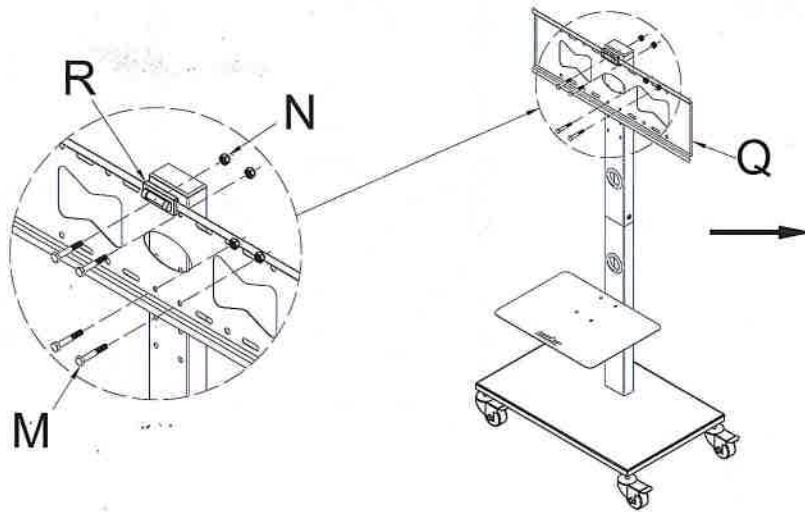
- Step 1**
- Connect B to A and tighten the thread
  - Connect G to A with screw F, then tighten F in the threaded hole of H's bottom
  - Connect I to H with screw J and washer K



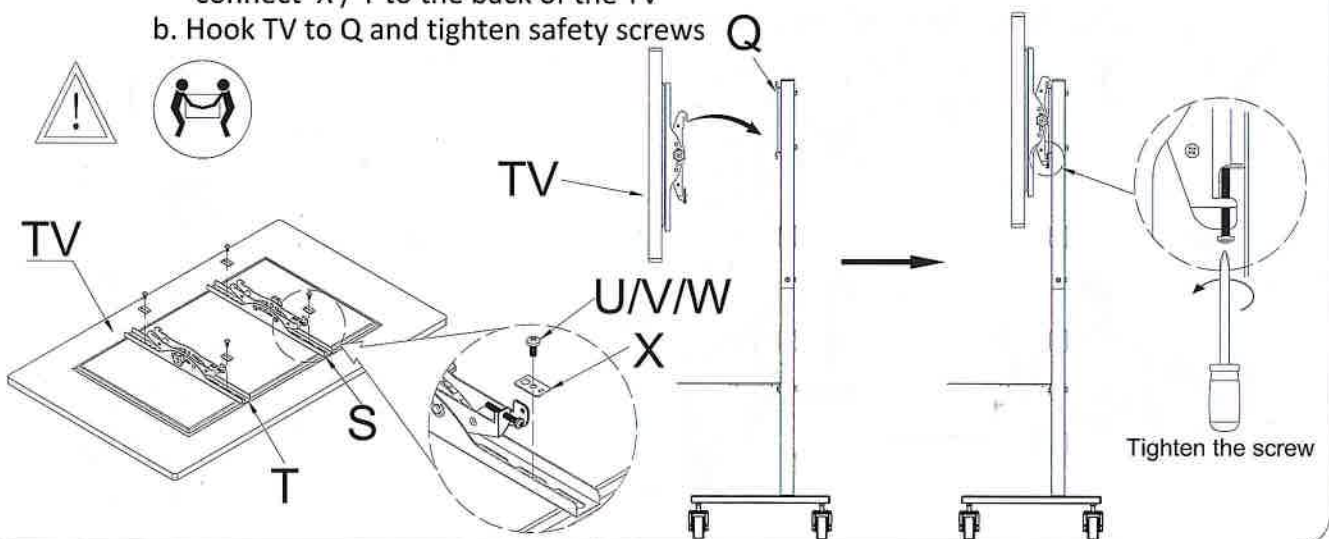
- Step 2**
- Connect L to H with screw M and nut N
  - Connect O to L with screw P



**Step 3** a. Choose suitable holes on I, connect Q to U with screw M and nut N



**Step 4** a. Choose suitable screw from U / V / W, go through related holes on X and S / T, connect X / Y to the back of the TV  
b. Hook TV to Q and tighten safety screws



## WARNING

1. This product contains small items that could be choking hazard if swallowed.
2. The TV Stand is recommended to be assembled by experienced personnel.
3. Exceeding the weight capacity can result in serious personal injury or damage to equipment.
4. Tighten all screws, but do not over tighten, or will greatly increase the risk of damaging screws and TV.
5. Do not remove or loosen any screws until they are no longer engaged with the stand, doing so may lead to accident.